

# Vacuum Presses Series

SVP1718



SVP



SVP1718FL



Operator manual

Manufactured by:



**landis**  
INTERNATIONAL

800 rue Rossiter, Saint-Jean-sur-Richelieu (QC) Canada J3B 8J1  
[www.landisinternational.ca](http://www.landisinternational.ca) [info@landisinternational.ca](mailto:info@landisinternational.ca)  
T. (450) 359-8800 TF. 1-800-634-0806 F. (450) 359-9619



# Introduction

The Vacuum Presses are compact, robust and sturdy machine designed for fast, complete vacuum forming work. It will deliver efficient, dependable service when used correctly and with care. As with any piece of specialized equipment, for best performance the manufacturer's instructions must be followed.



**THESE INSTRUCTIONS SHOULD BE READ AND UNDERSTOOD BY ALL USERS PRIOR TO INSTALLATION OR USE OF THE VACUUM PRESS.**

## GENERAL MACHINERY SAFETY WARNINGS

1. MISUSE of this machine can cause injury.
2. READ, UNDERSTAND AND FOLLOW all instructions shipped with your machine.
3. ALWAYS WEAR SAFETY GLASSES when operating machinery. Everyday eyeglasses only have impact resistant lenses, they are NOT safety glasses
4. WEAR PROPER APPAREL. Do not wear loose clothing, gloves, neckties, rings, bracelets, or other jewellery which may get caught in moving parts. Nonslip footwear is recommended. Wear protective hair covering to contain long hair.
5. TO MAINTAIN PROPER FOOTING, never operate machinery when floor is damp or wet. Wear soft soled footwear on a clean dry floor for safest operation.
6. KEEP CHILDREN AWAY. All visitors should be kept safe distance from work area.
7. MAKE WORKSHOP KID PROOF with padlocks, master switches, or by removing starter keys.
8. DON'T FORCE TOOL. It will do the job better and safer at the rate for which it was designed.
9. USE ONLY RECOMMENDED ACCESSORIES. Properly install and maintain accessories.
10. DO NOT USE EXTENSION CORD.
11. DON'T OVERREACH. Keep proper footing and balance at all times. Be alert when using machinery and keep hands clear of moving parts.
12. MAINTAIN TOOLS WITH CARE. Keep tools sharp and clean for best and safest performance. Follow instructions for lubricating and changing accessories.
13. DISCONNECT POWER SOURCE before performing any service to the machine. Be sure the machine is in the OFF position before reconnecting any power when changing accessories.
14. REDUCE THE RISK OF UNINTENTIONAL STARTING. Make sure switch is in OFF position before plugging in.
15. USE RECOMMENDED ACCESSORIES. Consult the owner's manual for recommended accessories. The use of improper accessories may cause risk of injury to persons.
16. ALWAYS PROPERLY SECURE machinery to floor or bench as instructed.
17. MAINTAIN A CLEAN, dry, well lit, and clutter free work area.
18. NEVER LEAVE TOOL RUNNING UNATTENDED. TURN POWER OFF. Don't leave tool until it comes to a complete stop.
19. NEVER MODIFY THE MACHINE. Modifications may cause safety hazards and will void the warranty.

## **RISK OF INJURY**



- **DISCONNECT TOOLS BEFORE SERVICING AND LOCK THE SWITCHES.**
- **EYE PROTECTION SHOULD ALWAYS BE WORN BY THE OPERATOR AND OTHERS IN THE WORK AREA WHEN THE CARVER IS IN USE.**
- **EYE PROTECTION IS REQUIRED FOR PROTECTION FROM FLYING DEBRIS AND DUST, WHICH COULD CAUSE EYE INJURY.**

# GENERAL SPECIFICATIONS

The Vacuum press comes equipped with a the new quick-release replacement bladder system, LandisVacuum Presses have the quickest system on the market. Bladders are changed in just minutes instead of an hour or more. No tools are required.

## MODEL SPECIFICATIONS

Description		Single	Dual	Dual Flat
Model		SVP	SVP1718	SVP1718FL
Width	INSIDE	10" (254 mm)	17 inches (431,8 mm)	17 inches (431,8 mm)
	OUTSIDE	16½" (419,1 mm)	23½ inches (596,9 mm)	23½ inches (596,9 mm)
Height	INSIDE	3" (76,2 mm)	3" (76,2 mm)	---
	OUTSIDE	7" (177,8 mm)	7" (177,8 mm)	---
Depth	INSIDE	17" (431,8 mm)	18" (457,2 mm)	18 inches (457,2 mm)
	OUTSIDE	25" (635 mm)	26 in. (660,4 mm)	26 in. (660,4 mm)
Net Weight		32 lbs (14.54 kg)	42 lbs (27 kg)	59 lbs (35 kg)

**Note:** Specifications subject to change without notice.

# START-UP

---



**EYE PROTECTION SHOULD ALWAYS BE WORN BY THE OPERATOR AND OTHERS IN THE WORK AREA WHEN SETTING UP THE MACHINE. EYE PROTECTION IS REQUIRED FOR PROTECTION FROM FLYING DEBRIS AND DUST, WHICH COULD CAUSE EYE INJURY.**

---

Before shipment, your Vacuum Press was checked at the factory for proper adjustment and operation. However, due to the possibility of jarring or damage during handling and shipping, it is necessary to check that the machine is in proper working order before use.

The Vacuum Press should be located on a flat, firm surface, in an area free of obstructions that could interfere with the safe operation of the equipment.

---



**ALL ELECTRICAL WORK MUST BE PERFORMED BY A QUALIFIED ELECTRICIAN AND MUST CONFORM TO ALL STATE AND LOCAL ORDINANCES.**

**DO NOT, UNDER ANY CIRCUMSTANCE, TAMPER WITH, MODIFY, OR ADAPT THE ELECTRICAL PLUG AND CORD PROVIDED WITH THIS MACHINE.**

---

## **UNCRATING & SET-UP INSTRUCTIONS**

1. The Vacuum Presses are shipped fully assembled in a cardboard crate. If a sharp tool is used care should be taken not to damage the vacuum press.
2. Unpack the Vacuum press.
3. Installation should be in a well lit, uncluttered location with convenient access to proper electrical receptacles.
4. The Vacuum Press should be grounded in accordance with local codes and ordinances. A qualified electrician should be consulted if electrical work is required. Grounding the vacuum press will prevent electrical shock. The vacuum press should never be used with extension cords or ungrounded receptacles.
5. The Vacuum Press comes with a standard US plug or custom plug as specified at the time of purchase. A plug should never be forced into a receptacle. If the plug is not compatible with your receptacle please consult a qualified electrician or contact Landis International for assistance.
6. Reach the hose under the Vac pan and install it at the end of your Vacuum pump.

# HOW TO CHANGE THE BLADDER ON YOUR VACCUUM PRESS

1. Take the cover off the vacuum press by sliding it to the right.
2. Install the cover on a flat surface.
3. Unscrew the 4 black knobs just enough so you can turn the J-bolts to get out the inner frame. There is no need to totally unscrew the knobs.
4. Get rid of the broken bladder.
5. Install a new bladder on the inner frame.
6. Put this frame inside the cover.
7. Turn the 4 J-bolts back in place again and tight the black knobs.
8. Reassemble the cover on the Vacuum press by sliding the pins in the hinges.
9. You are now ready to work.



**EYE PROTECTION SHOULD ALWAYS BE WORN BY THE OPERATOR AND OTHERS IN THE WORK AREA WHEN USING THE ACCESSORIES WITH THE MOLEVSP2. EYE PROTECTION IS REQUIRED FOR PROTECTION FROM FLYING DEBRIS AND DUST, WHICH COULD CAUSE EYE INJURY.**

# MAINTENANCE

---

A properly maintained machine will give you years of satisfactory service, whereas an abused machine will not. We strongly recommend that you observe the following procedures for your own benefit and safety.



**ALWAYS DISCONNECT THE MACHINE'S POWER SOURCE BEFORE PERFORMING ANY MAINTENANCE. NEVER DISASSEMBLE THE MACHINE OR EXPOSE WIRING WITHOUT DISCONNECTING THE ELECTRICAL POWER.**

---

## **DAILY AND WEEKLY MAINTENANCE**



1. Clean your Vacuum press daily.
2. All required lubrication of internal parts is performed at the factory and no additional lubrication is required.
3. As required, the machines should be cleaned of dust and debris using compressed air or a soft dry cloth.
4. Periodic cleaning of external surfaces is suggested if build-up of dust and debris occurs. After cleaning, lubricate unpainted external surfaces with a light coating of oil for rust prevention.

# ACCESSORIES

## VACUUM PRESS ACCESSORIES



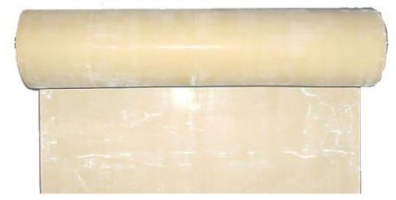
SILICONEC2MM

Supreme ultra clear Bladder (2mm)



SRG2MM

Supreme grey soft bladder (2mm)



LATEX116

Traditional brown gum rubber  
1/16" thick bladder

Buy from the roll and save money or we can cut the bladder for the exact size that you need !



18850  
Cross handle



H35091  
Vacuum Press handle



JBOLT38  
J Bolt 3 1/4"

## GAST ROTARY VANE PUMP

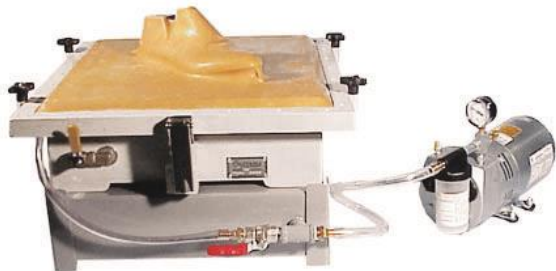


SKU : 87R642101RN470

## QUICK VAC STACKABLE TANK



Save space and speed-up your vacuum forming process

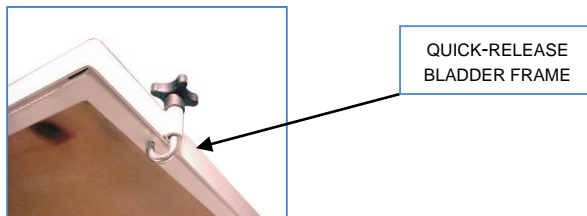
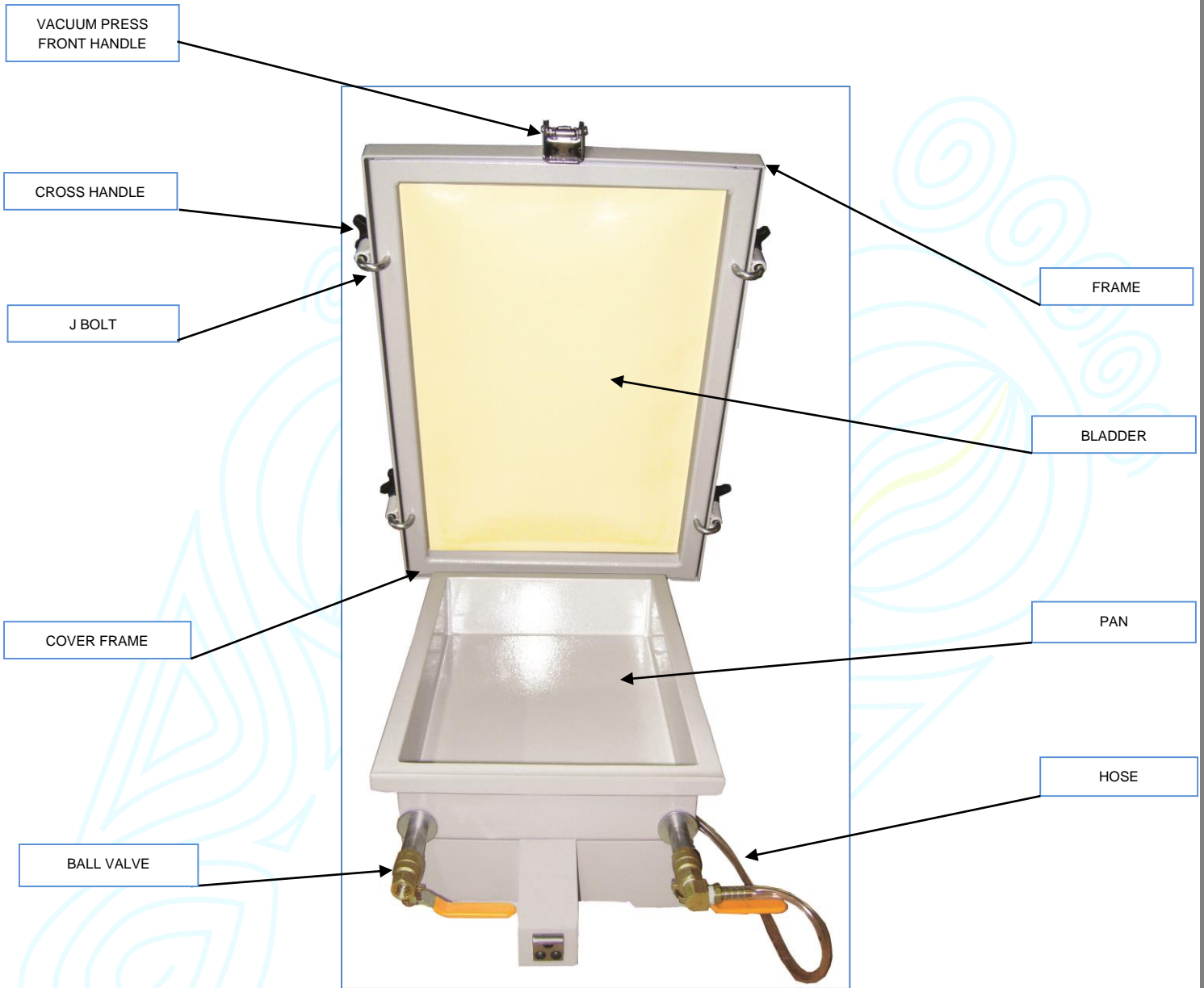


Quick Vac Stackable Tank shown with Dual Flat Vacuum Press and Gast Vacuum Pump



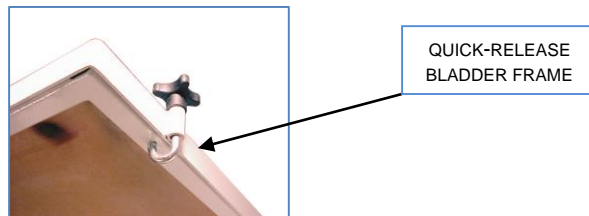
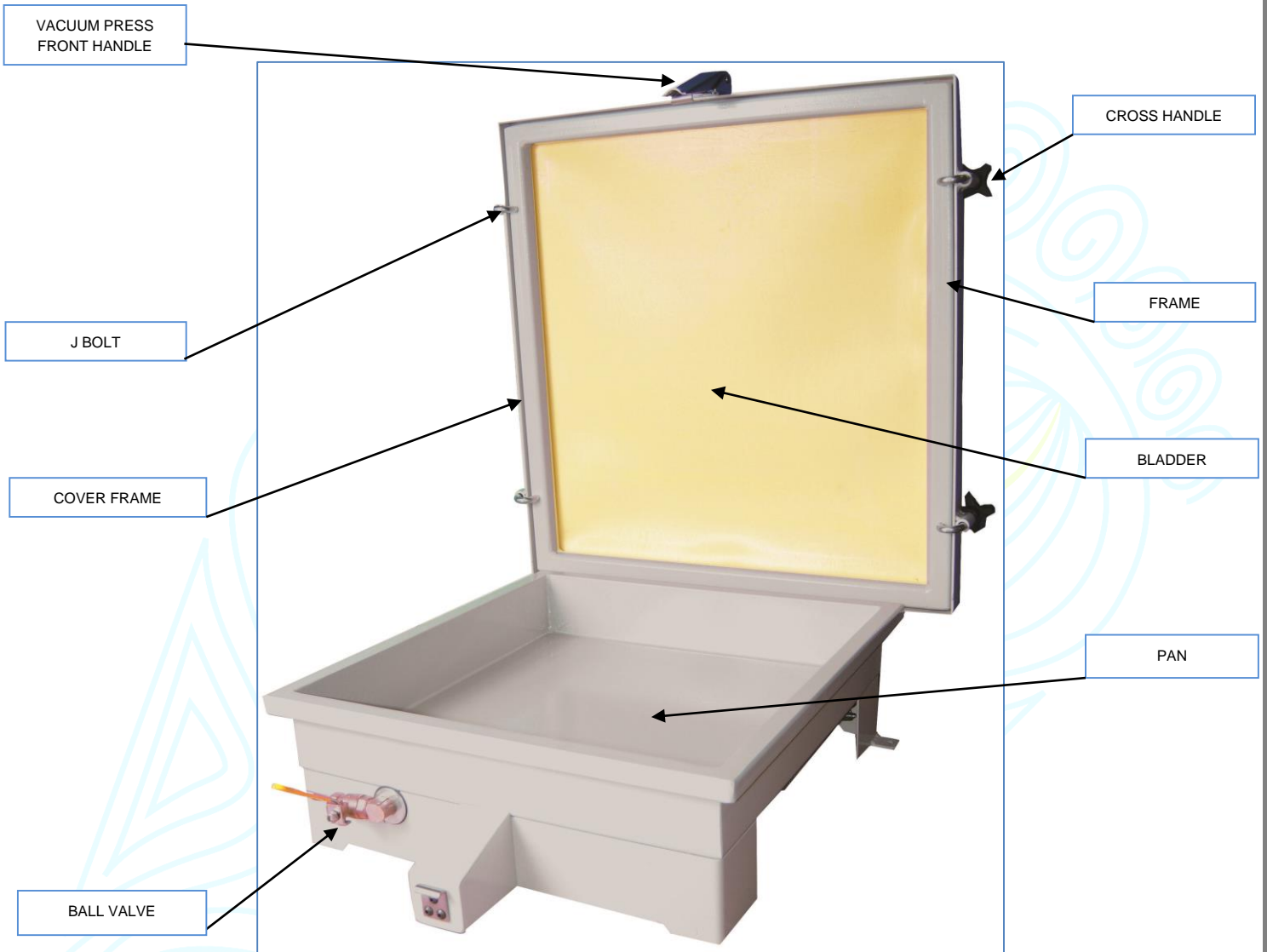
# PARTS

## Single Press (SVP)



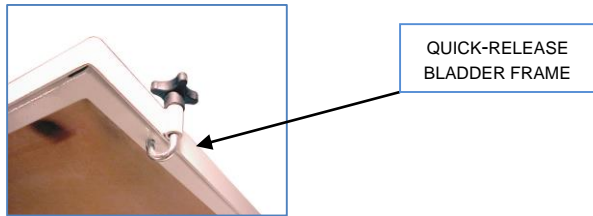
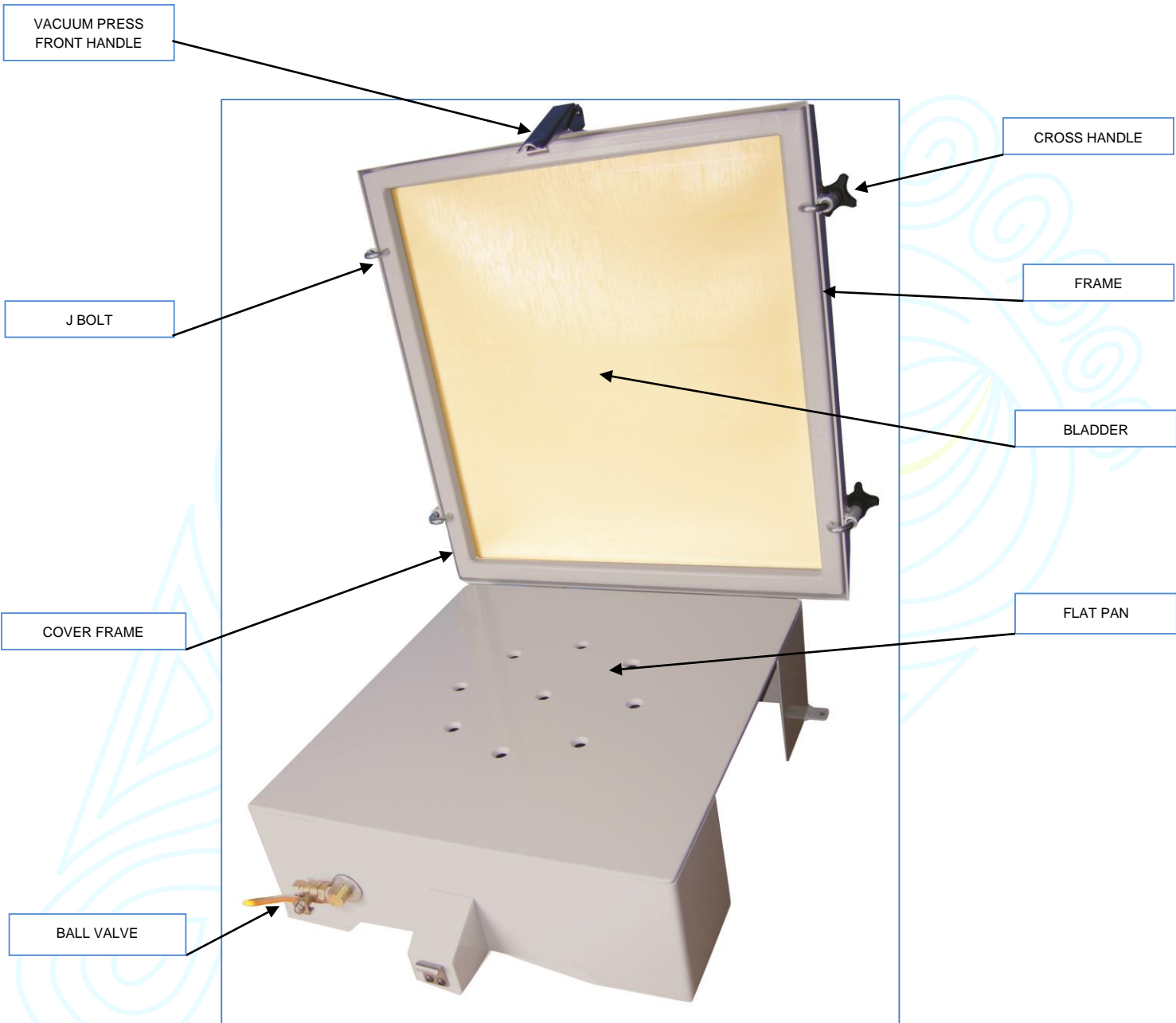
# PARTS

## Dual Press (SVP1718)



# PARTS

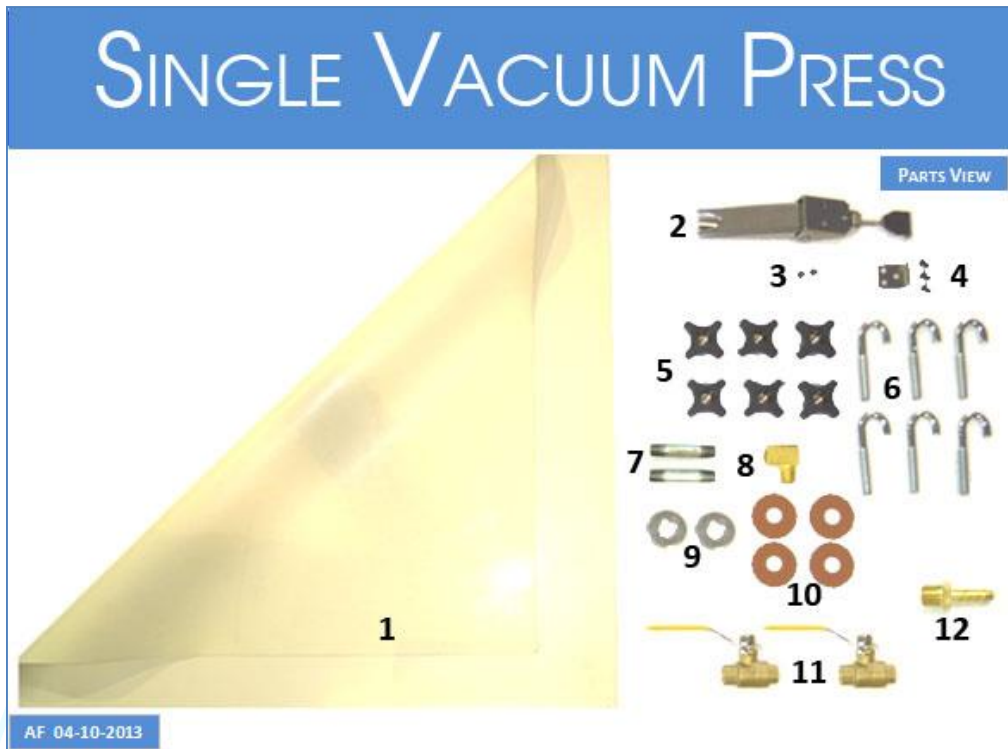
## Dual Press (SVP)



# PARTS LIST

<b>PART</b>	<b>DESCRIPTION</b>	<b>REF #</b>
LATEXSVP1017	GUM RUBBER BLADDER	SVP
LATEXSVP1718	GUM RUBBER BLADDER	SVP1718/SVP1718FL
H35091	FRONT HANDLE	SVP/SVP1718/SVP1718FL
BHA103214	BUTTON HEAD ALLEN 10-32 $\frac{1}{4}$ "	SVP/SVP1718/SVP1718FL
BHA103238	BUTTON HEAD ALLEN 10-32 $\frac{1}{4}$ "	SVP/SVP1718/SVP1718FL
18850	CROSS HANDLE 3/8-16	SVP/SVP1718/SVP1718FL
JBOLT38	J BOLT 3/8-16, 3 $\frac{1}{4}$ "	SVP/SVP1718/SVP1718FL
0201050	NIPPLE $\frac{1}{4}$ "- $\frac{1}{4}$ " NPT 2 $\frac{1}{2}$ "L	SVP
0200800	SHORT NIPPLE	SVP1718/SVP1718FL
D115B	ELBOW 90° MALE - FEMALE	SVP/SVP1718/SVP1718FL
FW916	FLAT WASHER 9/16"	SVP/SVP1718/SVP1718FL
SVPWASHER	RUBBER WASHER 1 $\frac{1}{2}$ " X $\frac{1}{2}$ "	SVP/SVP1718/SVP1718FL
VB14	BALL VALVE $\frac{1}{4}$ " NPT	SVP/SVP1718/SVP1718FL
D1254B	MALE HOSE END $\frac{1}{4}$ "	SVP
D1258B	MALE HOSE END $\frac{1}{2}$ "	SVP1718/SVP1718FL
101B	T $\frac{1}{4}$ "	SVP/SVP1718/SVP1718FL
HS10	HOSE COLLAR $\frac{3}{4}$ "	SVP1718/SVP1718FL

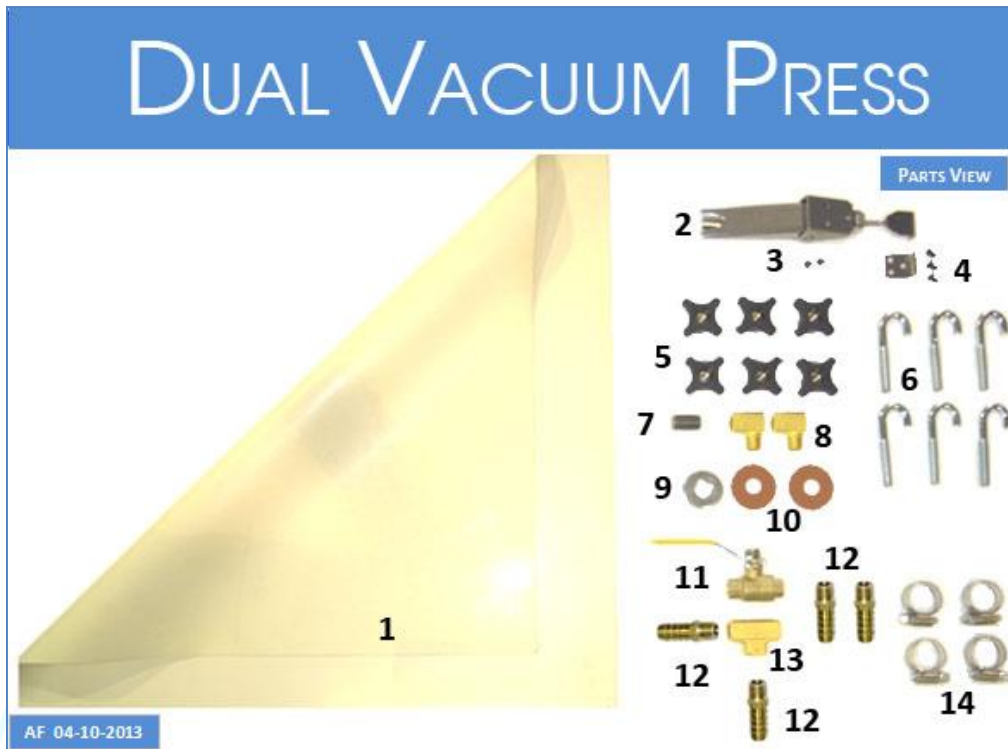
# PARTS VIEW



#	Part Number	x	Description
1	LATEXSVP1017	(1x)	LATEX FOR SUPREME VACUUM SINGLE
2	H35091	(1x)	HANDLE VACUUM PRESS
3	BHA103214	(2x)	BUTTON HEAD ALLEN 10-32 1/4"
4	BHA103238	(3x)	BUTTON HEAD ALLEN 10-32 3/8"
5	18850	(6x)	CROSS HANDLE 3/8-16 SVP
6	JBOLT38	(6x)	J BOLT 3/8-16, 3" 1/4
7	0201050	(2x)	NIPPLE 1/4-1/4 NPT 2 1/2L
8	D115B	(1x)	ELBOW 90 DEGRE 1/4" MALE-1/4" FEM.
9	FW916	(2x)	FLAT WASHER TROU 9/16
10	SVPWASHER	(4x)	WASHER 1" 1/2 X 1/2" FOR SVP FAMILY
11	VB14	(2x)	BALL VALVE 1/4 NPT
12	D1254B	(1x)	MALE HOSE END 1/4"



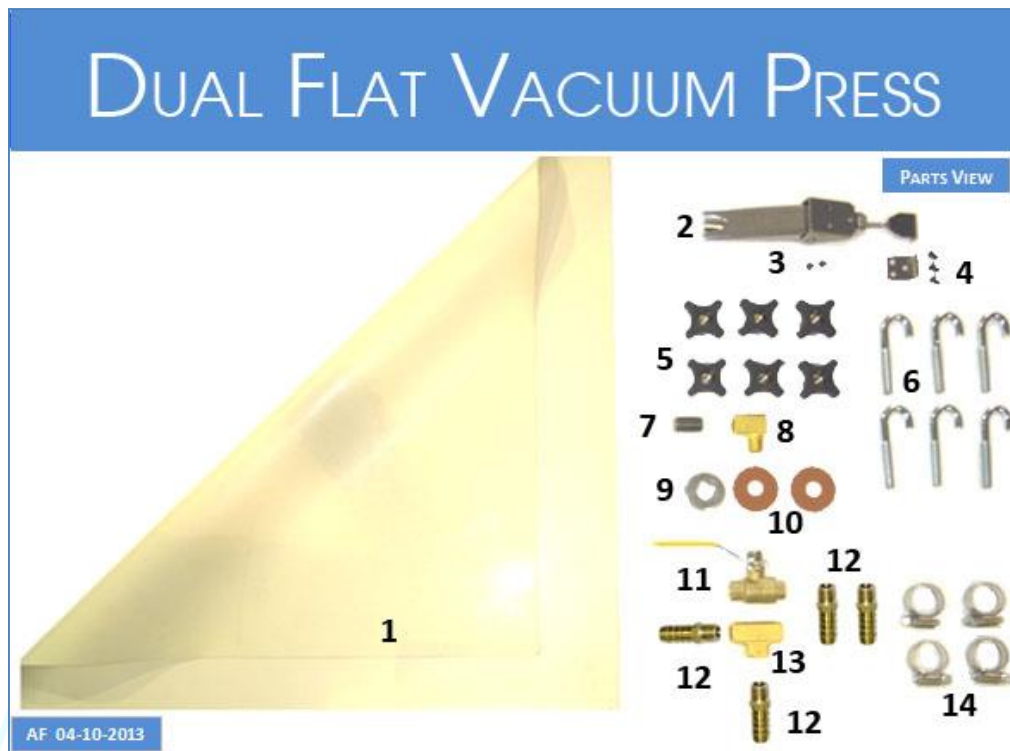
# PARTS VIEW



#	Part Number	x	Description
1	LATEXSVP1817	(1x)	LATEX FOR VACUUM PRESS 17X18
2	H35091	(1x)	HANDLE VACUUM PRESS
3	BHA103214	(2x)	BUTTON HEAD ALLEN 10-32 1/4"
4	BHA103238	(3x)	BUTTON HEAD ALLEN 10-32 3/8"
5	18850	(6x)	CROSS HANDLE 3/8-16 SVP
6	JBOLT38	(6x)	J BOLT 3/8-16, 3" 1/4
7	0200800	(1x)	SHORT NIPPLE 1/4-1/4 MALE MALE
8	D115B	(2x)	ELBOW 90 DEGRE 1/4" MALE-1/4" FEM.
9	FW916	(1x)	FLAT WASHER TROU 9/16
10	SVPWASHER	(2x)	WASHER 1" 1/2 X 1/2" FOR SVP FAMILY
11	VB14	(1x)	BALL VALVE 1/4 NPT
12	D1258B	(4x)	MALE HOSE END 1/2"
13	101B	(1x)	T 1/4"
14	HS10	(4x)	COLLET HOSE 3/4"



# PARTS VIEW



#	Part Number	x	Description
1	LATEXSVP1718	(1x)	LATEX FOR VACUUM PRESS 17X18
2	H35091	(1x)	HANDLE VACUUM PRESS
3	BHA103214	(2x)	BUTTON HEAD ALLEN 10-32 1/4"
4	BHA103238	(3x)	BUTTON HEAD ALLEN 10-32 3/8"
5	18850	(6x)	CROSS HANDLE 3/8-16 SVP
6	JBOLT38	(6x)	J BOLT 3/8-16, 3" 1/4
7	O200800	(1x)	SHORT NIPPLE 1/4-1/4 MALE MALE
8	D115B	(1x)	ELBOW 90 DEGRE 1/4" MALE-1/4" FEM.
9	FW916	(1x)	FLAT WASHER TROU 9/16
10	SVPWASHER	(2x)	WASHER 1" 1/2 X 1/2" FOR SVP FAMILY
11	VB14	(1x)	BALL VALVE 1/4 NPT
12	D1258B	(4x)	MALE HOSE END 1/2"
11	101B	(1x)	T 1/4"
12	HS10	(4x)	COLLET HOSE 3/4"



# WARRANTY INFORMATION

---

## VACUUM PRESS EQUIPMENT WARRANTY

Vacuum Press Equipment and Equipment accessories are warranted for manufacturing defects for 12 months from the date of shipment from the Landis International warehouse or from an authorized distributor. Items will be replaced or repaired at Landis International discretion at no charge to the customer (See Vacuum Press Warranty Repair/Replacement Procedure and Agreement). The warranty will be void if the item has been modified, abused, or used outside of Landis International recommendations.